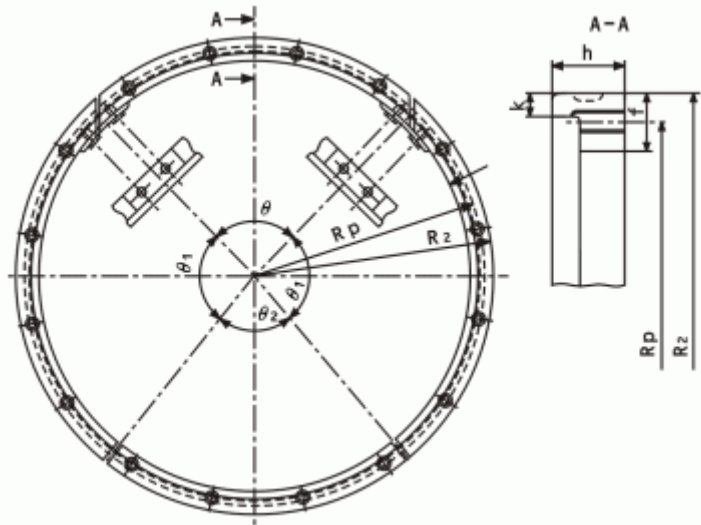




●Type U Gland



Unit: mm

| Nominal size | Dimensions | | | | | | | Weight (kg) | |
|--------------|----------------|----|----|----|----|-----|----|-------------|----------------|
| | R ₂ | f | h | k | ° | i° | 2° | | R _p |
| 700 | 389.5 | 42 | 55 | 17 | 80 | 104 | 72 | 368.5 | 28.9 |
| 800 | 441.0 | 42 | 55 | 17 | 90 | 96 | 78 | 420.0 | 32.9 |
| 900 | 492.5 | 42 | 55 | 17 | 90 | 96 | 78 | 471.5 | 37.0 |
| 1000 | 543.5 | 42 | 55 | 17 | 90 | 96 | 78 | 522.5 | 41.2 |
| 1100 | 595.0 | 42 | 55 | 17 | 90 | 96 | 78 | 574.0 | 45.0 |
| 1200 | 646.0 | 42 | 55 | 17 | 98 | 98 | 66 | 625.0 | 49.0 |
| 1350 | 723.0 | 42 | 55 | 17 | 98 | 98 | 66 | 702.0 | 55.2 |
| 1500 | 800.0 | 42 | 55 | 17 | 98 | 98 | 66 | 779.0 | 61.4 |
| 1600 | 852.0 | 50 | 60 | 20 | 96 | 96 | 72 | 825.0 | 86.2 |
| 1650 | 877.5 | 50 | 60 | 20 | 96 | 96 | 72 | 850.5 | 89.0 |
| 1800 | 951.0 | 50 | 60 | 20 | 90 | 102 | 66 | 924.0 | 96.7 |
| 2000 | 1057.5 | 50 | 60 | 20 | 96 | 96 | 72 | 1030.5 | 108.0 |
| 2100 | 1109.0 | 50 | 60 | 20 | 90 | 102 | 66 | 1082.0 | 113.0 |
| 2200 | 1167.0 | 50 | 60 | 20 | 96 | 96 | 72 | 1140.0 | 119.0 |
| 2400 | 1256.0 | 50 | 60 | 20 | 96 | 96 | 72 | 1231.0 | 128.0 |
| 2600 | 1374.0 | 50 | 85 | 25 | 88 | 100 | 72 | 1344.0 | 170.0 |

Note: The shape of dotted line of the gland show the nom. size of 2600mm.